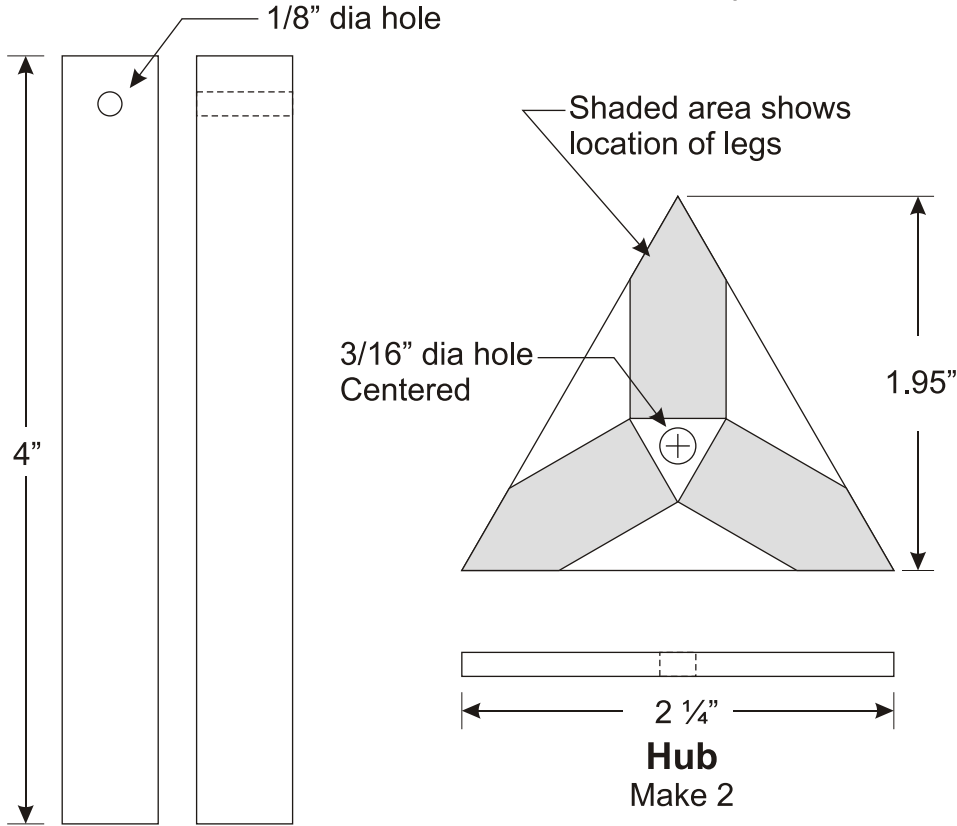


TRIPLE DRAG RACE LAUNCH PAD

for the Triple Threat (and others)

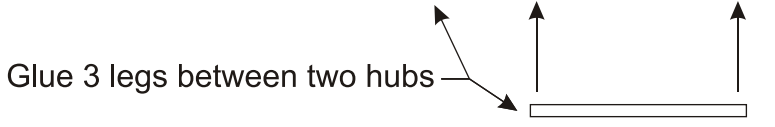


Leg
Make 3
1/2" square stock

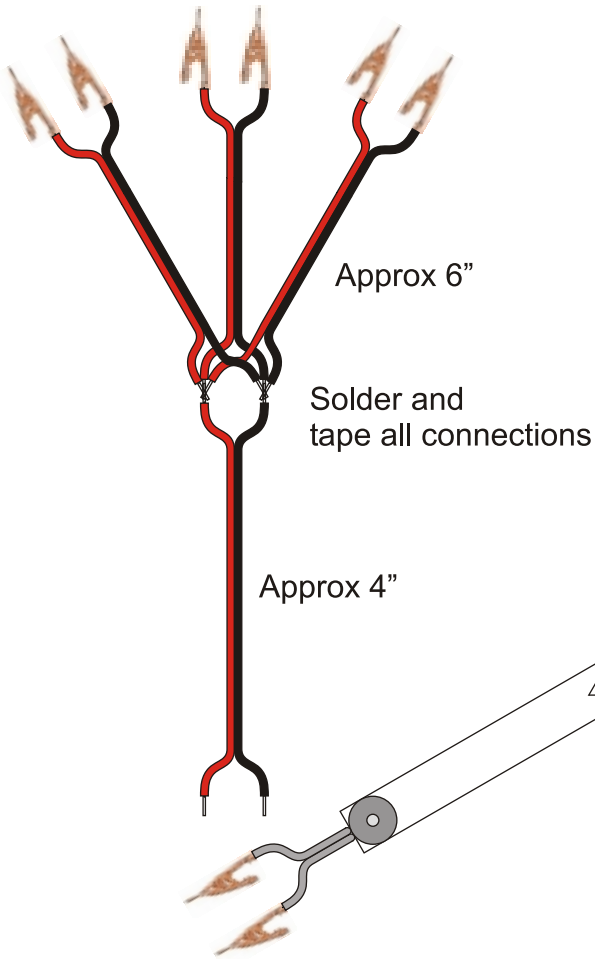


Glue 1/8" launch rod into hole at end of leg. Slide spent 13mm motor casing (nozzle end up) over launch rod and glue in place.

Push 1/8" launch lug through both hubs till it protrudes from the lower hub by 1/4", then glue in place.

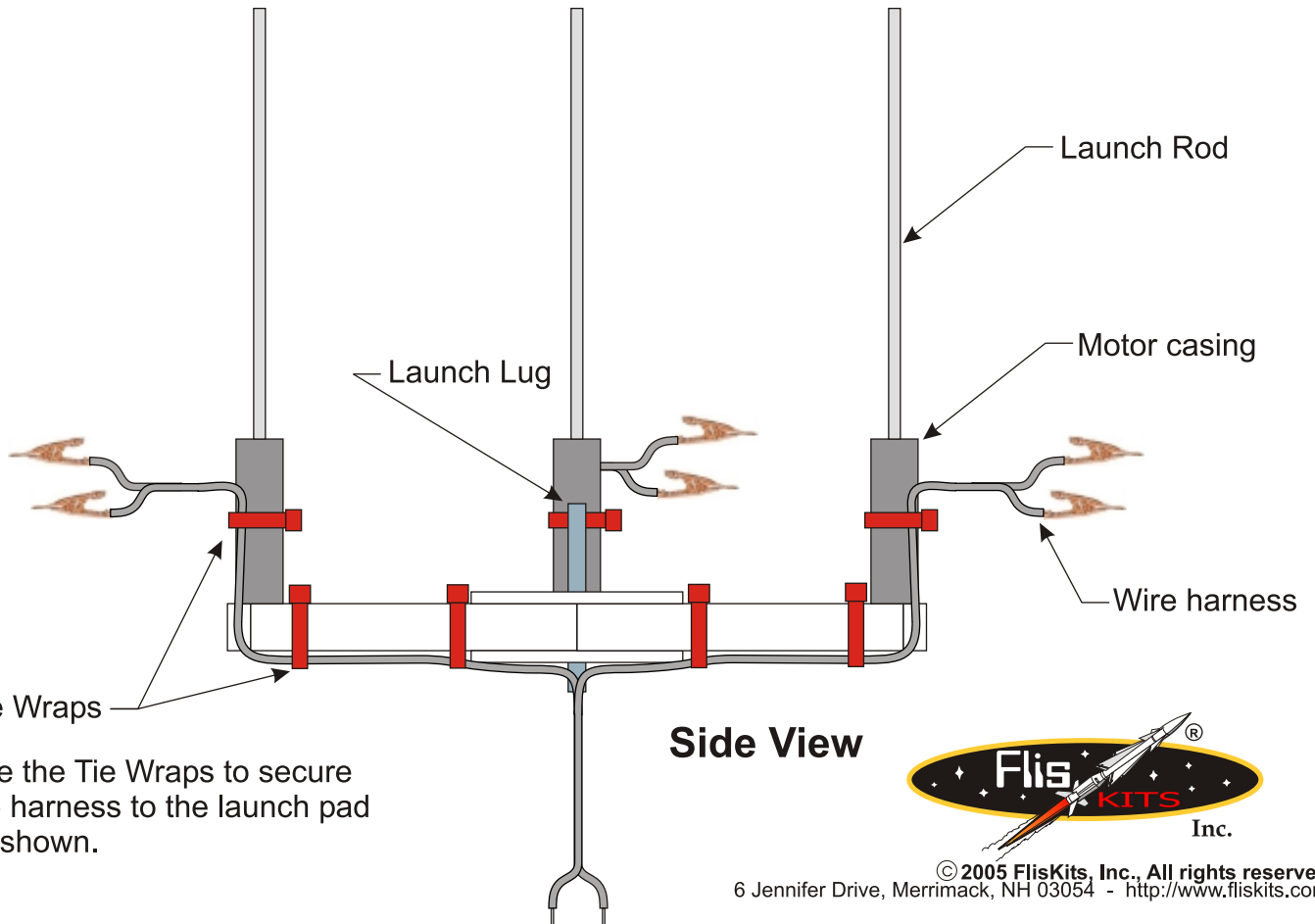
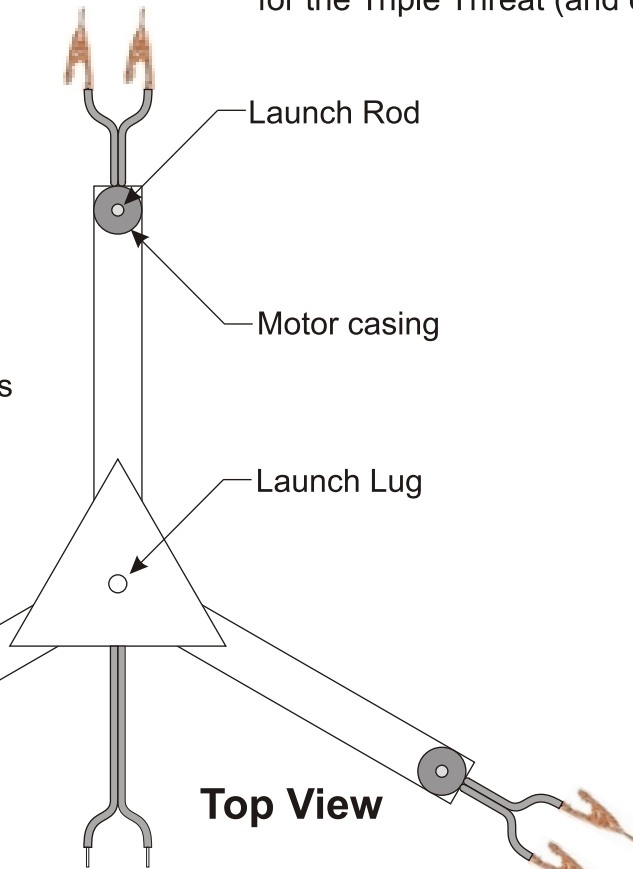


Wire harness



TRIPLE DRAG RACE LAUNCH PAD

for the Triple Threat (and others)



Use the Tie Wraps to secure the harness to the launch pad as shown.

